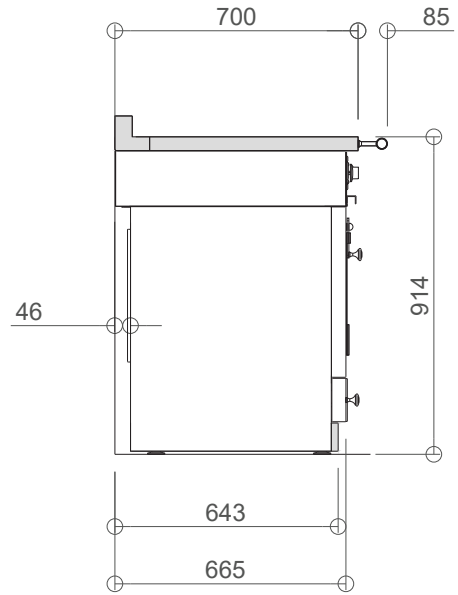
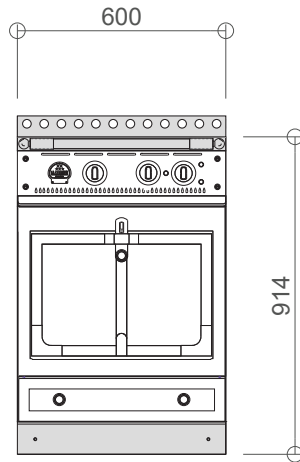




# 60: G40USAA



Compact Luxury, Uncompromising Performance. At just 23.6 inches wide, the Chateau 60 is the epitome of refined efficiency, making it the perfect choice for a chic studio apartment, pied-à-terre, guest house, or pool house. Designed for those who demand exceptional performance in a compact footprint, the Chateau 60 delivers timeless craftsmanship and modern innovation in perfect harmony.



## SPECIFICATIONS

### CHÂTEAU 60: G40USAA

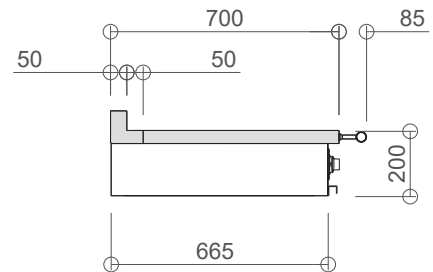
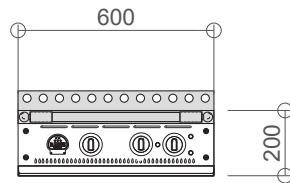
- 600 W x 700 D x 914 H (mm)
- 23.6 W x 27.6 D x 36 H (inches)
- Approx. 331 lb. uncrated, 396 lb. crated
- Large induction hob with 4 cooking zones
- Integrated induction controls
- Electric Multifunction Convection oven
- Flushed integrated backsplash



Both Chateau 60 (G40USAA) and Chateau Rangetop 60 (T40USAA) feature a large induction hob with 4 cooking areas

### CHÂTEAU RANGETOP 60: T40USAA

- 600 W x 700 D x 200 H (mm)
- 23.6 W x 27.6 D x 7.9 H (inches)
- Approx. 121 lb. uncrated, 165 lb. crated
- Large induction hob with 4 cooking zones
- Integrated induction controls
- Flushed integrated backsplash



## LE CHÂTEAU OPTIONS

**Enamel and Metal Body Options:** Chateau ranges are available in a variety of 50 enamel or metal body finishes, and can also be customized in a one-of-a-kind color. Prices may vary depending on colors selected.

**Trim Options:** Polished Brass, Brushed Brass, Brushed Stainless Steel, Brushed Nickel, Polished Chrome, Polished Copper, Matte Black, Matte Bronze, Brushed Copper and Polished Stainless Steel. Prices may vary depending on trims selected.